

PROJECT NAME: \_\_\_\_\_ CAT. #: \_\_\_\_\_  
 NOTES: \_\_\_\_\_ FIXTURE SCHEDULE: \_\_\_\_\_

# HLE Linear Highbay Value Series Wattage and CCT Select

### Product Description

The HLE LED Highbay Linear Series offers industry leading efficacy (150lm/W), customizability with CCT select switch (4000K & 5000K) and scalability with a Wattage select model, for high ceiling applications such as warehouses, distribution centers, manufacturing facilities and big box retailers. This compact highbay covers a wide range of applications with 20,000 lumens at just 1.4 ft length, all the way up to 60,000 lumens at 3.7 ft length.

### Features

- DLC Premium qualified
- 150 Lumens Per Watt
- Wattage and CCT selectable
- Fixtures are set to 5000K as a default factory setting
- On EM mode, the fixture output is a minimum of 3300lm for 90 minutes, when fully charged
- V-hooks and 40" knotted chain included in standard model
- UL Listed for damp locations



### Ordering Information

FAMILY	-	WATTAGE SELECTABLE <sup>1</sup>	VOLTAGE	LENS	-	CCT SELECT <sup>1</sup>	BBU OPTION <sup>2</sup>
HLE	-	<b>100W</b> = 100W/115W/135W <b>135W</b> = 135W/155W/185W <b>200W</b> = 200W/230W/270W <b>270W</b> = 270W/340W/400W	<b>U</b> = 120-277V	<b>F</b> = Frosted	-	<b>CS</b> = Color Selectable (4000K/5000K)	<b>[BLANK]</b> = None <b>EM</b> = Battery backup

<sup>1</sup> Default setting for WCS models is set to lowest wattage and 5000K.  
<sup>2</sup> On EM mode, the fixture CCT will be set to 5000K. Check the Specification Table for lumen output for EM suffix.

### Stocked Items

ORDER CODE	MODEL NUMBER	DLC PRODUCT ID#	DLC PRIMARY USE	DLC CLASSIFICATION
110858	HLE-100WUF-CS	S-BJFQ3C	High-Bay Luminaires for Commercial and Industrial Buildings	Premium
110870	HLE-100WUF-CSEM	S-BJFQ3C		
110859	HLE-135WUF-CS	S-XFPM6J		
110871	HLE-135WUF-CSEM	S-XFPM6J		
110860	HLE-200WUF-CS	S-T1MS48		
110872	HLE-200WUF-CSEM	S-T1MS48		
110861	HLE-270WUF-CS	S-0MPT2X		
110873	HLE-270WUF-CSEM	S-0MPT2X		


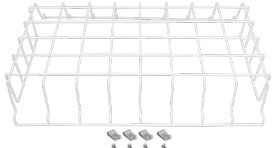











**5-year standard warranty** (further details available at [www.maxlite.com/warranties](http://www.maxlite.com/warranties))



# HLE Linear Highbay Value Series Wattage and CCT Select

## Accessories (Sold Separately)

ORDER CODE	MODEL NUMBER	DESCRIPTION	IMAGE
110904	HLS-PMKIT1	PIPE MOUNT KIT FOR HLE 1.4ft, 1.9ft, 2.6ft, 3.7ft	
110908	HLS-SMKIT1	SURFACE MOUNT KIT FOR HLE 1.4FT, 1.9FT, 2.6FT, 3.7FT	
110910	HLS-WGW1	WIREGUARD FOR 1.4FT HLE	
110911	HLS-WGW2	WIREGUARD FOR 1.9FT HLE	
110912	HLS-WGW3	WIREGUARD FOR 2.6FT HLE	
110913	HLS-WGW4	WIREGUARD FOR 3.7FT HLE	
74138	MLCHKLSU15	Y CABLE WITH GRIPPER CINCH AND TOGGLES 15'	
110914	HLS-NLENS1	NARROW BEAM LENS FOR 1.4FT HLS (2pc)	
110915	HLS-NLENS2	NARROW BEAM LENS FOR 1.9FT HLS (2pc)	
110916	HLS-NLENS3	NARROW BEAM LENS FOR 2.6FT HLS (2pc)	
110917	HLS-NLENS4	NARROW BEAM LENS FOR 3.7FT HLS (2pc)	
105623	BRI823-X-D-L3-WHITE	LINE VOLTAGE 120/277V HIGH/LOW/OFF PIR DROP NIPPLE EXTERNAL MOUNT, OCCUPANCY/DAYLIGHT SENSOR, HIGH BAY LENSE 8-40 FT, WHITE FINISH	
104799	RMRC-100	REMOTE CONTROL, RANGE 50 FT INDOORS	
<b>c-Max Basic</b>			
105565	CN-RDMSW*	CONTROL NODE ROUND, PIR MOTION SENSOR/PHOTOCELL, WHITE, IP66	
106093	CEA-RDW	C-MAX EXTERNAL ADAPTER ROUND WHITE	
<b>c-Max Network</b>			
106904	CNS-PSW	C-MAX NETWORK SENSOR 120-277V, BLUETOOTH/ PIR MOTION SENSOR, DAYLIGHT HARVESTING, WHITE	
105905	NN-RDMSW*	NETWORK NODE ROUND, PIR MOTION SENSOR, DAYLIGHT HARVESTING, WHITE	
106391	NN-RDW*	NETWORK NODE ROUND, WHITE	

\* Install in combination with CEA-RDW (Sold separately)



# HLE Linear Highbay Value Series Wattage and CCT Select

Specifications	HLE-100W			HLE-135W			HLE-200W			HLE-270W		
Length	1.4 FT			1.9 FT			2.6 FT			3.7 FT		
Nominal Wattage (W)*	100W	115W	135W	135W	155W	185W	200W	230W	270W	270W	340W	400W
Lumens Delivered (lm)	15,000	17,250	20,250	21,060	23,710	27,750	30,800	34,960	40,500	41,580	51,680	60,000
Nominal Efficacy (lm/W)	150											
Lumens Delivered at BBU mode (lm)**	3300lm with EM suffix- for 90 minutes, when fully charged											
Color Temperature (K)*	4000K, 5000K											
CRI	≥ 80											
Calculated L70 Lumen Maintenance	50,000 hrs											
Dimming Technology	0-10V											
Beam Angle	90° for Frosted Lens											
Dimming Range	10-100%											
Input Voltage	120-277V AC											
Surge Protection	6 kV (Contact Maxlite, if additional surge requirements)											
Power Factor	≥ 0.9											
Mounting	Suspended (Chain and V Hooks - Standard)											
Housing	Sheet Steel											
Diffuser	Polycarbonate											
Humidity	10% to 80% RH Non-Condensing											
Operating Temperature	-4°F to 122°F (-20°C to 50°C), except for BBU models. BBU models: 32°F to 113°F (0°C to 45°C)											
Certifications	UL listed, RoHS Compliant, FCC											
Qualifications	DLC Premium											
Warranty	5 years. Check maxlite.com/warranties for details											

\* Default setting for WCS models is set to lowest wattage and 5000K  
 \*\* Lumens delivered at BBU mode varies based on wattage and CCT setting

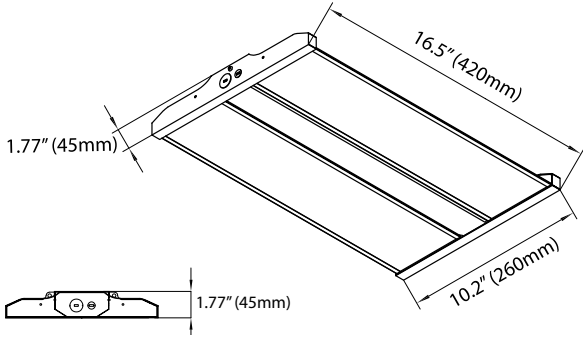
## HLE Operating Temperature (For 120-277V Models)

MODEL NUMBER & LENGTH OF HOUSING		120-277V LUMINAIRE	120-277V LUMINAIRE WITH BATTERY BACK UP UNIT	120-277 LUMINAIRE WITH HLS-SMKITX	120-277V LUMINAIRE WITH BATTERY BACK UP UNIT AND HLS-SMKITX	120-277V LUMINAIRE WITH HLS-PMKITX	120-277V LUMINAIRE WITH BATTERY BACK UP UNIT AND HLS-PMKITX
HLE-100WUF-CS	1.4ft	-4°F to 122°F (-20°C to 50°C)	32°F to 113°F (0°C to 45°C)	-4°F to 104°F (-20°C to 40°C)	32°F to 104°F (0°C to 40°C)	-4°F to 122°F (-20°C to 50°C) applies when the luminaire is suspended at least 18 inches from the ceiling	32°F to 104°F (0°C to 40°C)
HLE-135WUF-CS	1.9ft						
HLE-200WUF-CS	2.6ft						
HLE-270WUF-CS	3.7ft						

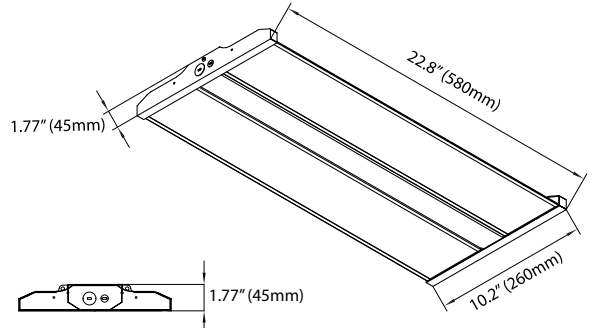


## HLE Linear Highbay Value Series *Wattage and CCT Select*

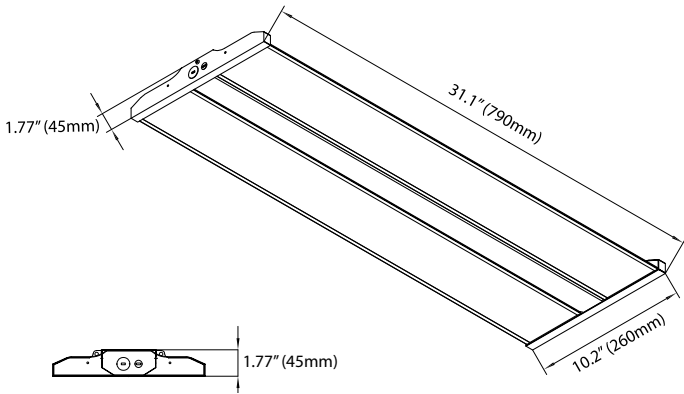
### Dimensions



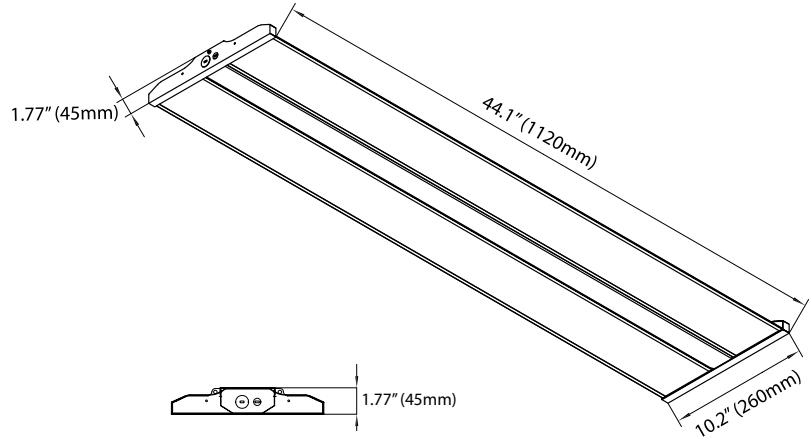
1.4 FT - 100W/ 115W/ 135W (Wattage Selectable)



1.9 FT - 135W/ 155W/ 185W (Wattage Selectable)



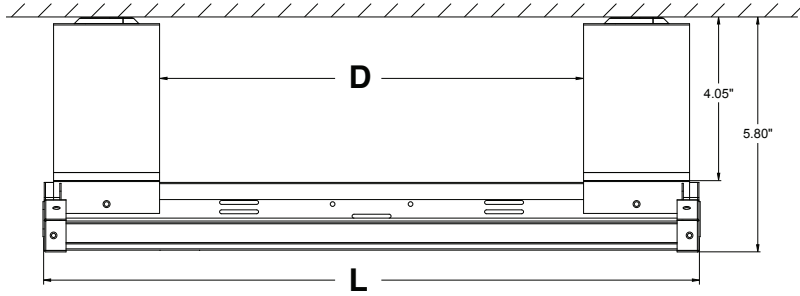
2.6 FT - 200W/ 230W/ 270W (Wattage Selectable)



3.7 FT - 270W/ 340W/ 400W (Wattage Selectable)

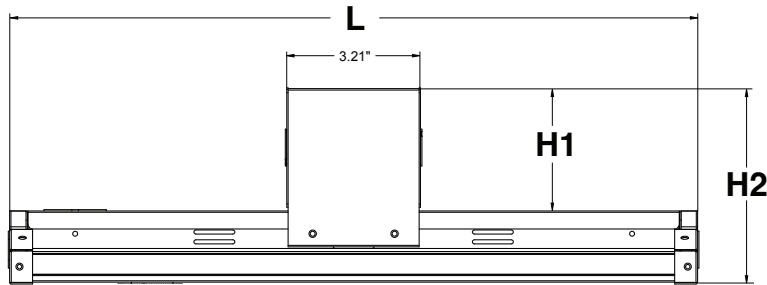
# HLE Linear Highbay Value Series Wattage and CCT Select

## Surface Mount Kit Dimensions



	LENGTH OF FIXTURE (L)	INNER DISTANCE BETWEEN THE 2 SMK BRACKETS (D)
1.4FT - 100W/115W/135W	16.54"	10.71"
1.9FT - 135W/155W/185W	22.83"	17.01"
2.6FT - 200W/230W/270W	31.10"	25.28"
3.7FT - 270W/340W/400W	44.09"	38.27"

## Pipe Mount Kit Dimensions



	LENGTH OF FIXTURE (L)	HEIGHT FROM TOP OF THE PMK BRACKET TO THE TOP OF THE HOUSING (H1)	HEIGHT FROM TOP OF THE PMK BRACKET TO THE BOTTOM OF THE HOUSING (H2)
1.4FT - 100W/115W/135W	16.54"	2.94"	4.70"
1.9FT - 135W/155W/185W	22.83"	2.94"	4.70"
2.6FT - 135W/155W/185W	31.10"	2.94"	4.70"
3.7FT - 270W/340W/400W	44.09"	2.94"	4.70"

## FCC Statement

This device complies with part 15 of the FCC Rules, Operation is subject to the following two conditions: (1) This device may not cause harmful interference, and (2) this device must accept any interference received, including interference that may cause undesired operation.